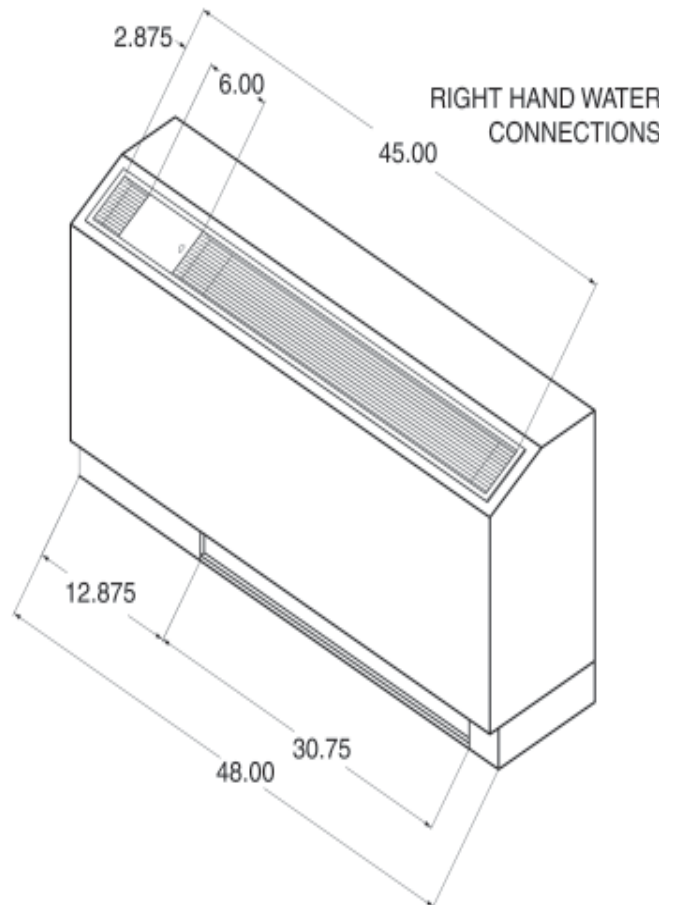
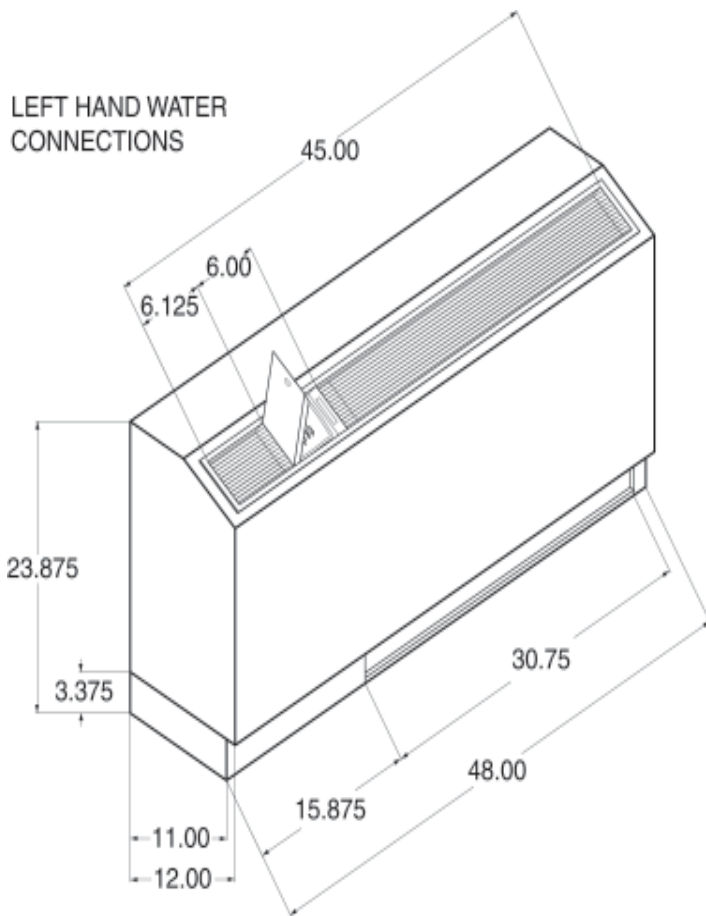




Console Dimensions

Geo-Earth Energy Enterprises
 2078 Courtland Drive
 Burlington, Ontario, Canada, L7R 1R8
 Phone / Fax: (905) 637-7618
 www.geo-e3.com



Fresh Air Opening (In Sub-base Rear)

CAUTION! When installing unit in cold climates, an outside air damper must be provided to prevent possible condenser freeze-up.

NOTES: All dimensions within +/- 0.125".
 Filter size: 7" x 30 1/4" x 3/8" Aluminum Mesh
 Specifications subject to change without notice.

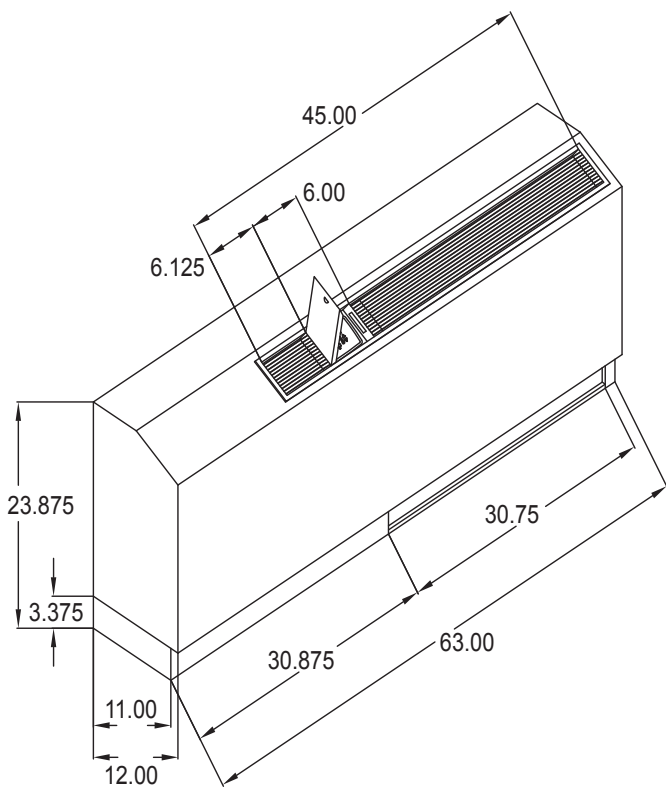


Console Dimensions

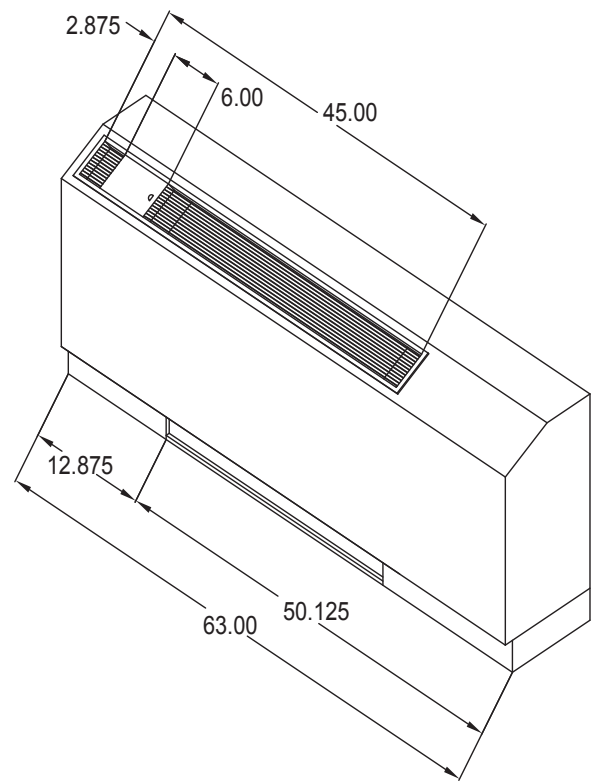
63" Extended Cabinet

Geo-Earth Energy Enterprises
 2078 Courtland Drive
 Burlington, Ontario, Canada, L7R 1R8
 Phone / Fax: (905) 637-7618
 www.geo-e3.com

Left Hand Water Connections



Right Hand Water Connections



Fresh Air Opening (In Sub-base Rear)

CAUTION! When installing unit in cold climates, an outside air damper must be provided to prevent possible condenser freeze-up.

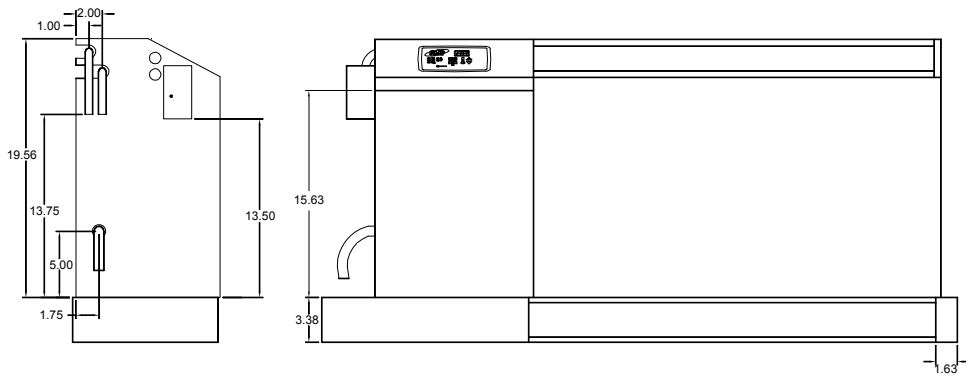
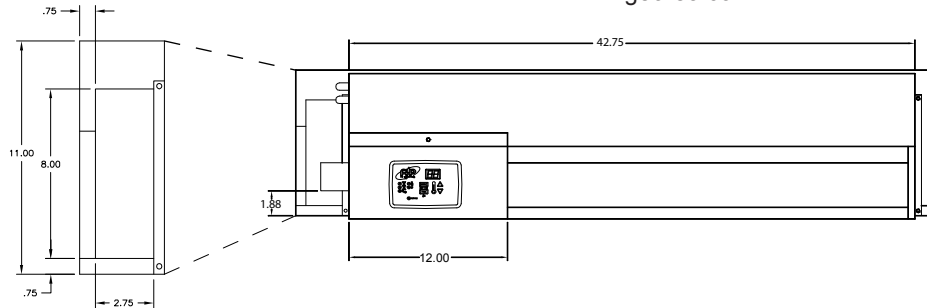
NOTES: All dimensions within +/- 0.125".
 Filter size: 7" x 30 1/4" x 3/8" Aluminum Mesh
 Specifications subject to change without notice.



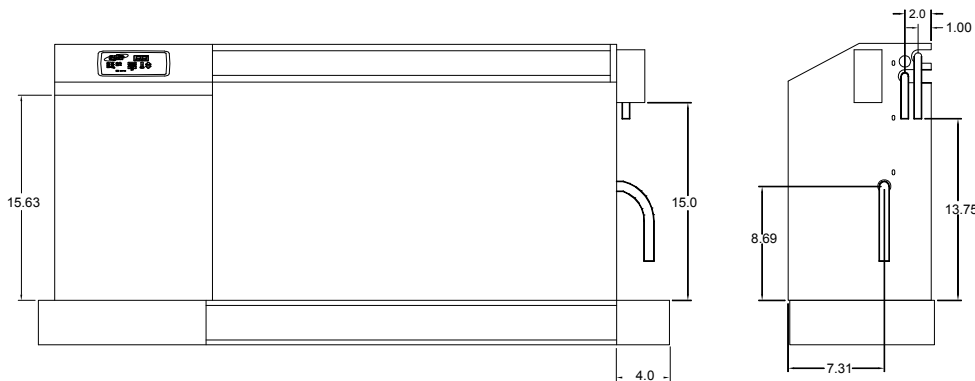
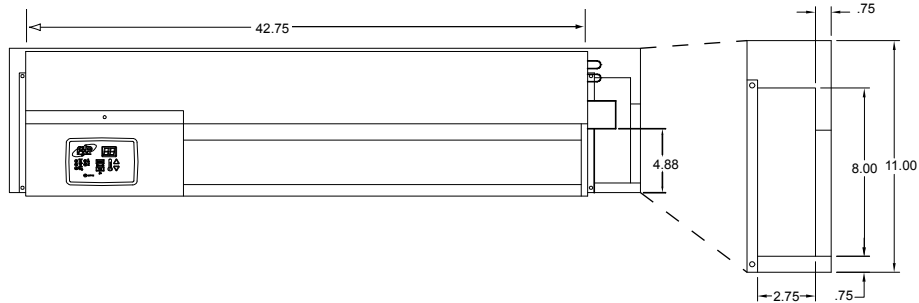
Chassis Dimensions

Geo-Earth Energy Enterprises
 2078 Courtland Drive
 Burlington, Ontario, Canada, L7R 1R8
 Phone / Fax: (905) 637-7618
 www.geo-e3.com

Left Hand Water



Right Hand Water



NOTES: All dimensions within +/- 0.125".

Console units must be installed with a cabinet and sub-base.

Filter size: 7" x 30 - 1/8" x 3/8" Aluminum Mesh.

Unit controller shown, other control options may have a different control panel configuration.

Specifications subject to change without notice.